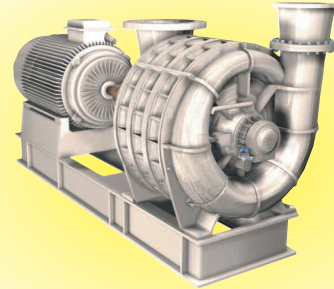


TECHNICAL DATA SHEET

TECHNICAL DATA

Number of stage : 1 thru 10 (cast)
 Inlet connection : 6" (152 mm) flange, matches 125# ANSI
 Outlet connection : 5" (127 mm) flange, matches 125# ANSI
 Operating speed : 3600 rpm in direct drive (60Hz)
 Lubrication : Grease lubricated
 Impeller diameter : 16" (406.4 mm)
 Impeller tip speed : 246 f/s (75 m/s)
 Drive : Direct drive or V-belts
 Vibration tolerance : 1.5 mils peak-to-peak (5.4 mm /s)
 Shaft end : 1" 1/2 (38 mm), inlet end drive standard.

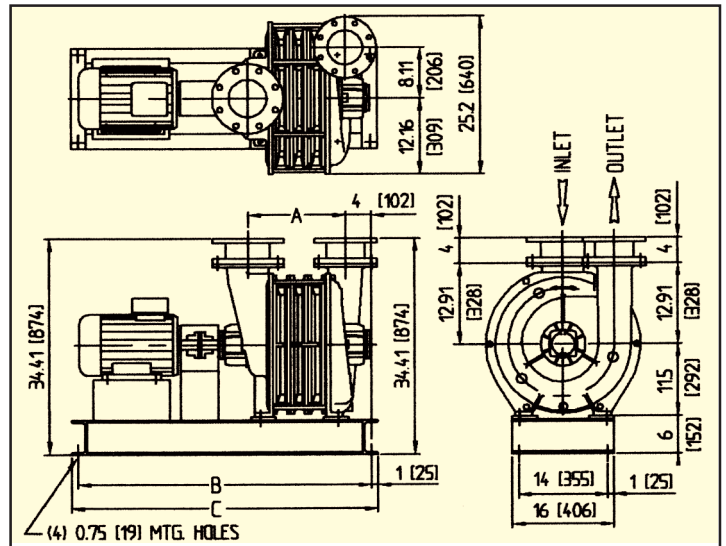
"20" SERIES



AIR & GAS

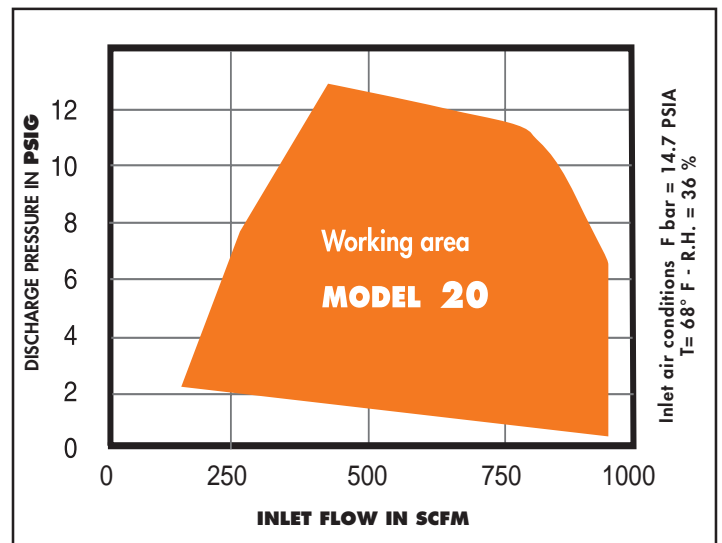
MATERIALS OF CONSTRUCTION

Heads, Bearing housings : Cast iron ASTM A-48 Class 35B or equivalent
 Sections : Cast aluminium ASTM 356 or equivalent (cast iron optional)
 Tie rods : 1/2" (12.7 mm) diameter cold drawn steel A60
 Joint sealing compound : RTV IS502 Silicone
 Seals (air) : Two graphite rings each end
 Seals (gas) : Four carbon rings each end with inert gas injection
 Bearings : Ball bearings 6410 C3 THT per AFBMA B10 STANDARD
 Shaft : AISI 1038 CARBON STEEL or equivalent
 Impellers : Cast aluminium ASTM 360 or equivalent
 Motor pedestal : Structural steel.
 Base pads : Korfund Elasto-rib or equivalent
 Noise level : In compliance with OSHA standards when machine is fully, piped (certified tests available).



BLOWER SIZE	"A"	"B"	"C"	WEIGHT LBS	KG
2001	7.04 (179)	34.0 (863)	36.0 (914)	352	160
2002	9.80 (249)	40.0 (1016)	42.0 (1067)	408	185
2003	12.56 (319)	46.0 (1168)	48.0 (1219)	463	210
2004	15.31 (389)	46.0 (1168)	48.0 (1219)	507	230
2005	18.07 (459)	52.0 (1321)	54.0 (1372)	562	255
2006	20.83 (529)	58.0 (1473)	60.0 (1524)	617	280
2007	23.58 (599)	58.0 (1473)	60.0 (1524)	661	300
2008	26.33 (669)	64.0 (1625)	66.0 (1676)	716	325
2009	29.09 (739)	64.0 (1625)	66.0 (1676)	760	345
2010	31.85 (809)	70.0 (1778)	72.0 (1829)	815	370

DIMENSIONS ARE IN INCHES AND (MM)
 ACTUAL DIMENSIONS MAY VARY SLIGHTLY TO SUIT APPLICATION



Values, dimensions and reference in this brochure are approximate and intended as a guide only, not for construction and are subject to change without notice.

CONTINENTAL BLOWER LLC · CONTINENTAL BLOWER LLC · CONTINENTAL BLOWER LLC · CONTINENTAL BLOWER LLC ·